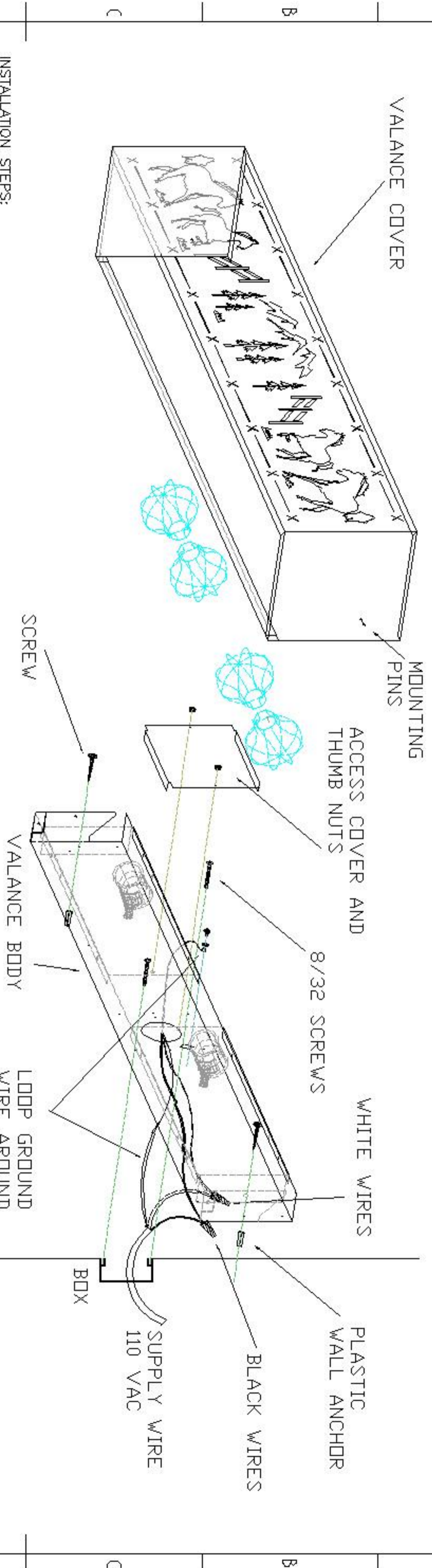


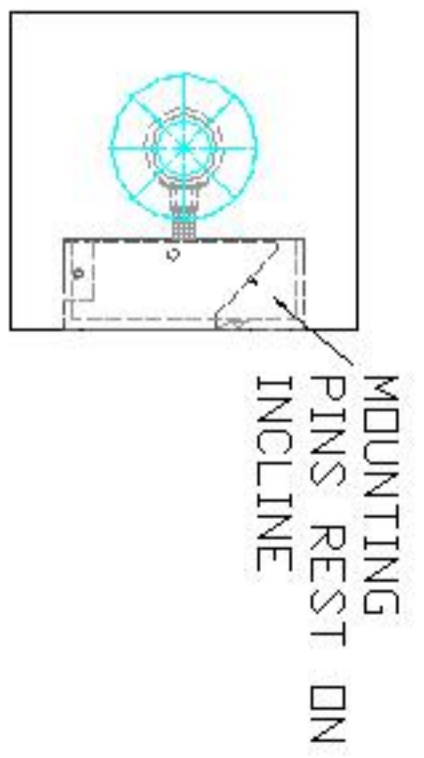
**** IMPORTANT ****
INSURE ELECTRICAL POWER IS OFF TO ELECTRICAL BOX BEFORE PROCEEDING!
MINIMUM 90* EC SUPPLY CONDUCTORS

Rev No.	Revision note	Date	Signature
0	INITIAL RELEASE	4/8/05	AVD



- INSTALLATION STEPS:
- ** IMPORTANT **** INSURE ELECTRICAL SERVICE IS TURNED OFF BEFORE PROCEEDING
1. REMOVE ALL ITEMS FROM BOX. INSPECT FOR DAMAGE, REPORT ANY DAMAGED ITEMS TO STONE MATHER DESIGNS.
 2. REMOVE ACCESS COVER FROM CENTER OF VALANCE BODY. ALIGN VALANCE BODY OVER ELECTRICAL JUNCTION BOX. INSTALL 8/32 SCREWS (NOT PROVIDED) THROUGH VALANCE BODY INTO JUNCTION BOX.
 3. LEVEL VALANCE BODY AS NEEDED AND INSTALL END ANCHORS (PROVIDED) TIGHTEN TO SECURE TO WALL.
 4. CONNECT WHITE WIRE(S) WITH WHITE SUPPLY WIRE AND CONNECT BLACK WIRE(S) WITH BLACK SUPPLY WIRE USING WIRE NUTS.
 5. LOOP GROUND SUPPLY WIRE AROUND GROUND SCREW INSIDE VALANCE BODY AND TIGHTEN.
 6. INSTALL ACCESS COVER AND LAMPS.
 7. INSTALL VALANCE COVER OVER VALANCE BODY, GENTLY LOWER COVER SO MOUNTING PINS SLIDE DOWN INCLINE OF VALANCE BODY TO PULL COVER AGAINST WALL.

THIS PRODUCT MUST BE INSTALLED IN ACCORDANCE WITH THE APPLICABLE INSTALLATION CODE BY A PERSON FAMILIAR WITH THE CONSTRUCTION AND OPERATION OF THE PRODUCT AND THE HAZARDS INVOLVED AND OR A QUALIFIED ELECTRICIAN.



UNDERWRITERS LABORATORIES COMPLIANCE		STONE MATHER DESIGNS	
<ol style="list-style-type: none"> 1. INCANDESCENT FILE # E170691 2. FLUORESCENT FILE # E172522 		4444 Tower Rd. SW Albuquerque, NM 87121 Phone (505) 247-4276 Fax (505) 247-4538	
INSTALLATION INSTRUCTIONS		VALANCES	
Date	11/11/11	Designed by	XXX
		Sheet	1/1