

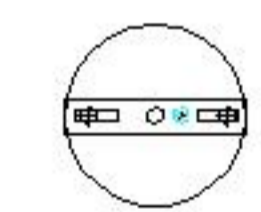
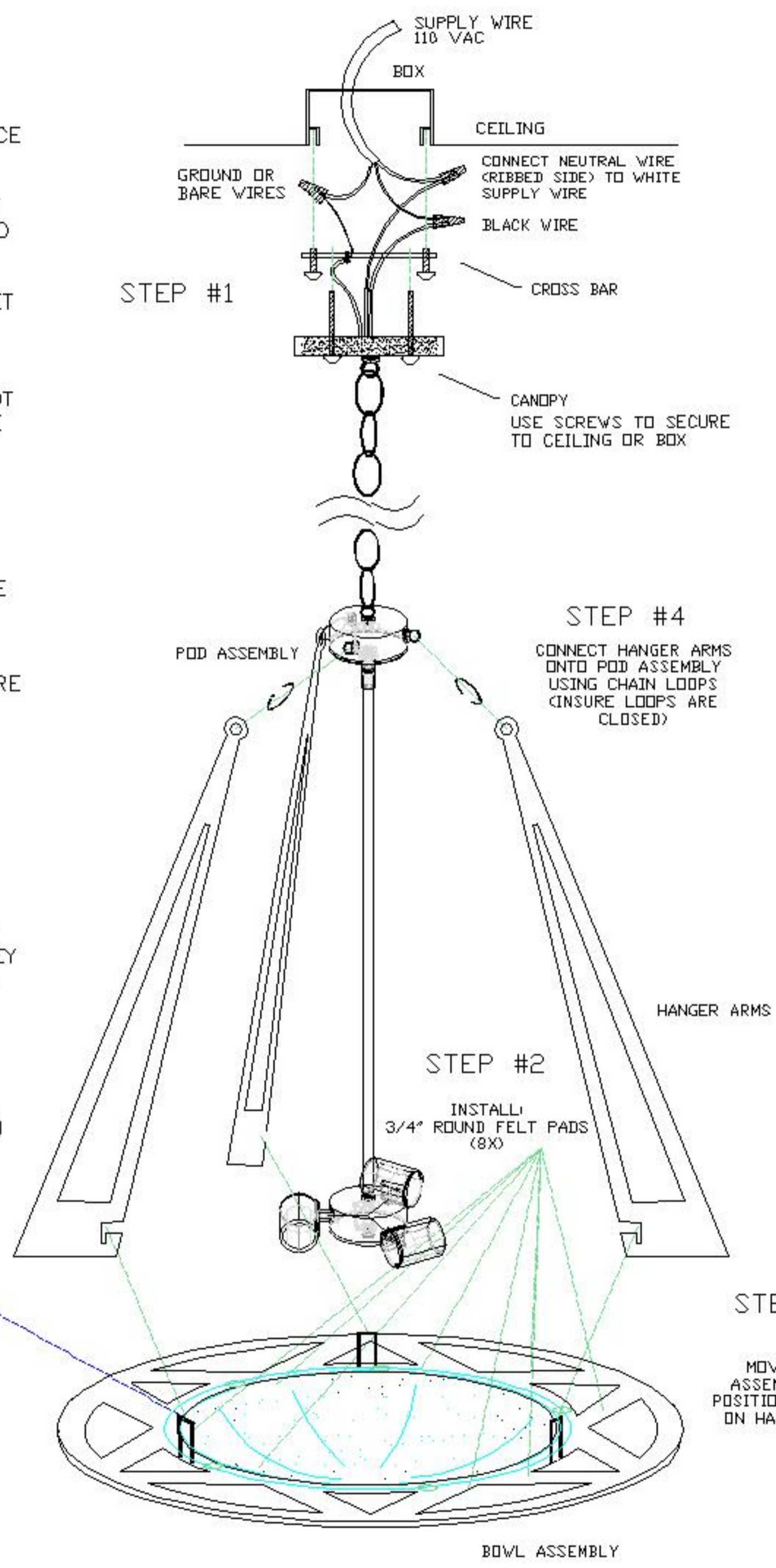
RevN-	Revision Note	Date	Signature
0	INITIAL RELEASE	10/29/04	AVD
A	UPDATED	1/25/07	AVD

**** IMPORTANT ****
INSURE ELECTRICAL POWER IS OFF TO ELECTRICAL BOX BEFORE PROCEEDING!
MINIMUM 90* EC SUPPLY CONDUCTORS

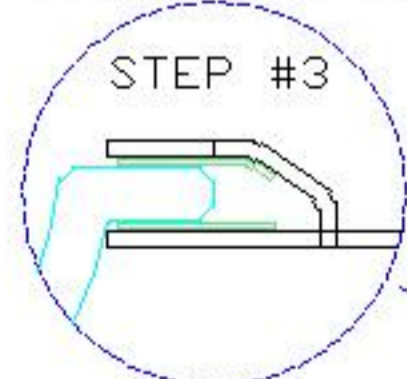
INSTALLATION STEPS:

**** IMPORTANT **** INSURE ELECTRICAL SERVICE IS TURNED OFF BEFORE PROCEEDING

1. REMOVE ALL ITEMS FROM BOX. INSPECT FOR DAMAGE AND REPORT DAMAGED ITEM TO STONE MATHER DESIGNS.
2. FASTEN MOUNTING CROSS BAR TO OUTLET BOX.
3. CONNECT NEUTRAL WIRE (RIBBED SIDE) WITH WHITE SUPPLY WIRE AND CONNECT HOT WIRE WITH BLACK SUPPLY WIRE USING WIRE NUTS.
4. LOOP BARE COPPER GROUNDING WIRE AROUND GROUND SCREW ON CROSS BAR AND TIGHTEN. CONNECT GROUNDING WIRE FROM OUTLET BOX WITH BARE COPPER GROUNDING WIRE FROM FIXTURE USING WIRE NUT.
5. THREAD SCREWS FROM CANOPY INTO CROSSBAR BRACKET AND TIGHTEN TO SECURE TO CEILING.
6. INSTALL FELT PADS(8X) AND GLASS IN PENDANT RING (STEP #2)
7. BEND TABS DOWN TO HOLD GLASS IN PLACE (3X) (STEP #3)
8. CONNECT HANGER ARMS TO POD LOOPS USING CHAIN LINKS PROVIDED. INSURE THEY ARE ORIENTED AS SHOWN IN THE DIAGRAM. USE CHAIN PLIERS TO CLOSE CHAIN LINKS. (STEP #4)
9. LIFT THE BOWL ASSEMBLY TO POSITION AND HOOK EACH HANGER ARM INTO THE METAL LINKS ON RING AS SHOWN. (STEP#5)



CONNECT CROSS BAR TO JUNCTION BOX



STEP #3

THIS PRODUCT MUST BE INSTALLED IN ACCORDANCE WITH THE APPLICABLE INSTALLATION CODE BY A PERSON FAMILIAR WITH THE CONSTRUCTION AND OPERATION OF THE PRODUCT AND THE HAZARDS INVOLVED AND OR A QUALIFIED ELECTRICIAN.

UNDERWRITERS LABORATORIES COMPLIANCE	
U _L	1. INCANDESCENT FILE #E170691
	2. FLUORESCENT FILE #E172522

STONE MATHER DESIGNS
 4444 Tower Rd. SW
 Albuquerque, NM 87121
 Phone (505) 247-4276
 Fax (505) 247-4538

INSTALLATION INSTRUCTIONS		
GLASS PENDANT		
GPL		
Date	11/29/2114	Designed by AVD
		Sheet 1/1