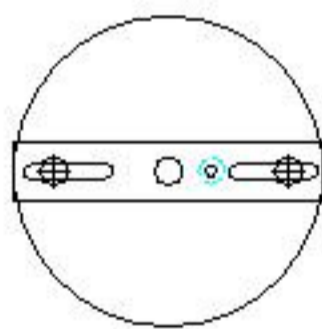
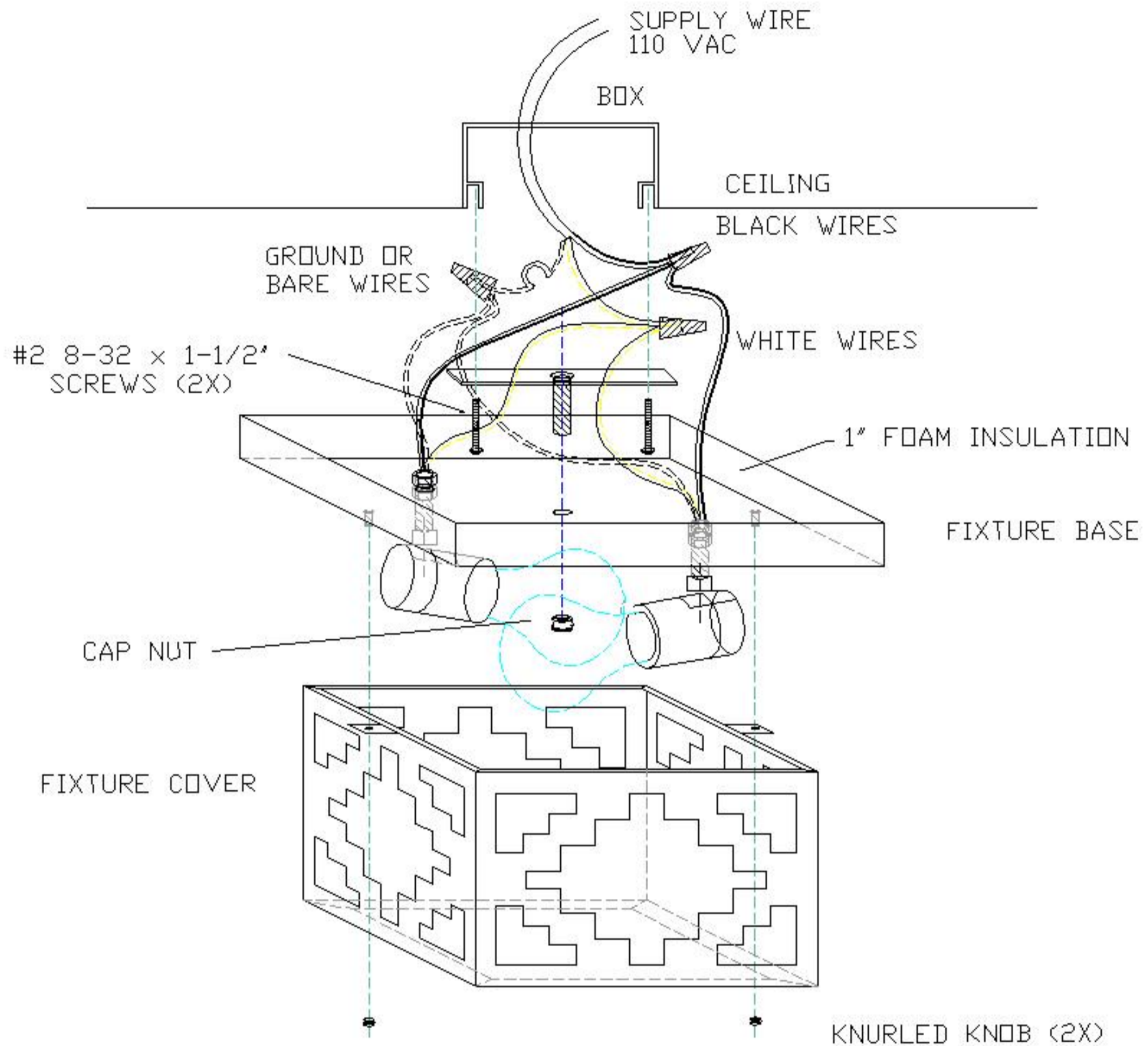


RevN-	Revision Note	Date	Signature
0	INITIAL RELEASE	9/29/04	AVD

**\*\* IMPORTANT \*\***  
**INSURE ELECTRICAL POWER IS OFF TO ELECTRICAL BOX BEFORE PROCEEDING!**  
**MINIMUM 90° EC SUPPLY CONDUCTORS**



CONNECT CROSS BAR TO JUNCTION BOX

THIS PRODUCT MUST BE INSTALLED IN ACCORDANCE WITH THE APPLICABLE INSTALLATION CODE BY A PERSON FAMILIAR WITH THE CONSTRUCTION AND OPERATION OF THE PRODUCT AND THE HAZARDS INVOLVED AND OR A QUALIFIED ELECTRICIAN.

**INSTALLATION STEPS:**

- \*\* IMPORTANT \*\*** INSURE ELECTRICAL SERVICE IS TURNED OFF BEFORE PROCEEDING
1. REMOVE ALL ITEMS FROM BOX. INSPECT FOR DAMAGE AND REPORT DAMAGED ITEM TO STONE MATHER DESIGNS.
  2. FASTEN MOUNTING CROSS BAR TO OUTLET BOX.
  3. CONNECT WHITE WIRE(S) WITH WHITE SUPPLY WIRE AND CONNECT BLACK WIRE(S) WITH BLACK SUPPLY WIRE USING WIRE NUTS.
  4. LOOP BARE COPPER GROUNDING WIRE AROUND GROUND SCREW ON CROSS BAR AND TIGHTEN. CONNECT GROUNDING WIRE FROM OUTLET BOX WITH BARE COPPER GROUNDING WIRE(S) FROM FIXTURE USING WIRE NUT.
  5. PLACE FIXTURE BASE OVER NIPPLE AND SECURE WITH CAP NUT, TIGHTEN TO SECURE TO CEILING.
  6. INSTALL FIXTURE COVER WITH KNURLED KNOBS (2X)

UNDERWRITERS LABORATORIES COMPLIANCE



1. INCANDESCENT FILE #E170691  
 2. FLUORESCENT FILE #E172522

**STONE MATHER DESIGNS**

4444 Tower Rd. SW  
 Albuquerque, NM 87121  
 Phone (505) 247-4276  
 Fax (505) 247-4538

INSTALLATION INSTRUCTIONS

CEILING MOUNT  
 CM

Date	9/29/2014	Designed by	AVD	Sheet	1/1
------	-----------	-------------	-----	-------	-----