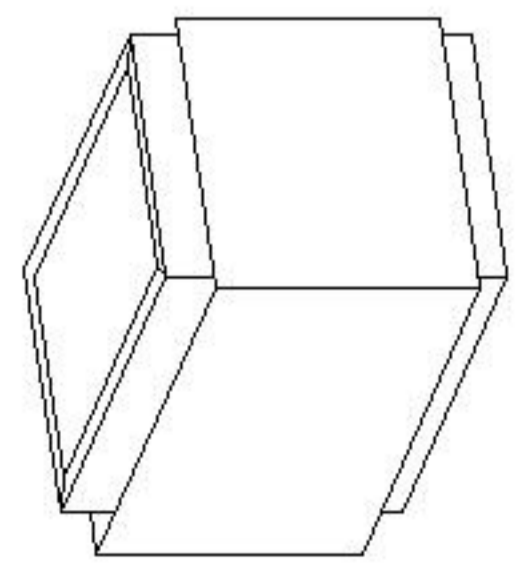
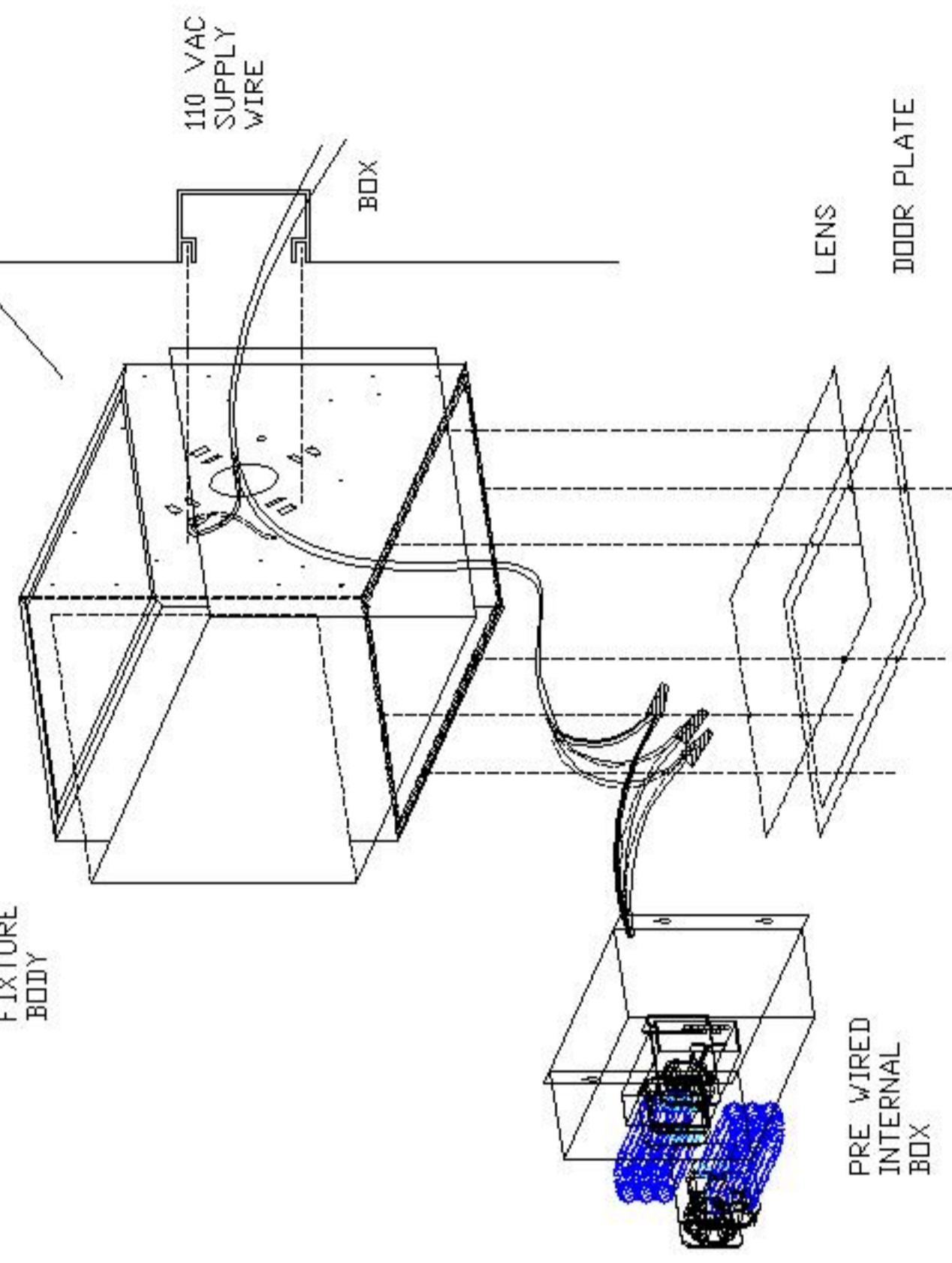


Rev No.	Revision note	Date	Signature
0	INITIAL RELEASE	12/16/05	AVD

**\*\* IMPORTANT \*\***  
**INSURE ELECTRICAL POWER IS OFF TO ELECTRICAL BOX BEFORE PROCEEDING!**  
**MINIMUM 90\* EC SUPPLY CONDUCTORS**



FIXTURE BODY



**INSTALLATION STEPS:**

- \*\* IMPORTANT \*\* INSURE ELECTRICAL SERVICE IS TURNED OFF BEFORE PROCEEDING
- 1. REMOVE ALL ITEMS FROM BOX. INSPECT FOR DAMAGE AND REPORT DAMAGED ITEM TO STONE MATHER DESIGNS.
- 2. REMOVE DOOR, LENS AND INTERNAL BOX ASSEMBLY
- 3. FASTEN FIXTURE BODY TO JUNCTION BOX (HARDWARE NOT INCLUDED) (SEAL TO WALL AROUND JUNCTION BOX WITH SILICONE SEALANT)
- 4. LOOP BARE COPPER GROUNDING WIRE AROUND GROUND SCREW ON FIXTURE BODY AND TIGHTEN. CONNECT GROUNDING WIRE(S) FROM OUTLET BOX WITH BARE COPPER GROUNDING WIRE FROM FIXTURE USING WIRE NUT. (GROUND JUNCTION BOX PER LOCAL CODE)
- 5. CONNECT WHITE WIRE(S) WITH WHITE SUPPLY WIRE AND CONNECT BLACK WIRE(S) WITH BLACK SUPPLY WIRE USING WIRE NUTS. (MAKE ELECTRICAL CONNECTIONS PER LOCAL CODES)
- 6. SECURE INTERNAL BOX IN PLACE USING 4 NUTS PROVIDED
- 7. INSTALL LAMP(S) (NOT INCLUDED)
- 8. REINSTALL LENS AND DOOR

THIS PRODUCT MUST BE INSTALLED IN ACCORDANCE WITH THE APPLICABLE INSTALLATION CODE BY A PERSON FAMILIAR WITH THE CONSTRUCTION AND OPERATION OF THE PRODUCT AND THE HAZARDS INVOLVED AND OR A QUALIFIED ELECTRICIAN.

**UNDERWRITERS LABORATORIES COMPLIANCE**

**U<sub>L</sub>**  
 1. INCANDESCENT FILE # E170691  
 2. FLUORESCENT FILE # E172522

**STONE MATHER DESIGNS**

4444 Tower Rd. SW  
 Albuquerque, NM 87121  
 Phone (505) 247-4276  
 Fax (505) 247-4538

**INSTALLATION INSTRUCTIONS**

CL-DT-SQ13  
 DOUBLE 42W FLOUR OPTION  
 10.0H X 15.0W X 8.8D

Date 11/11/11  
 Designed by XXX  
 Sheet 1/1