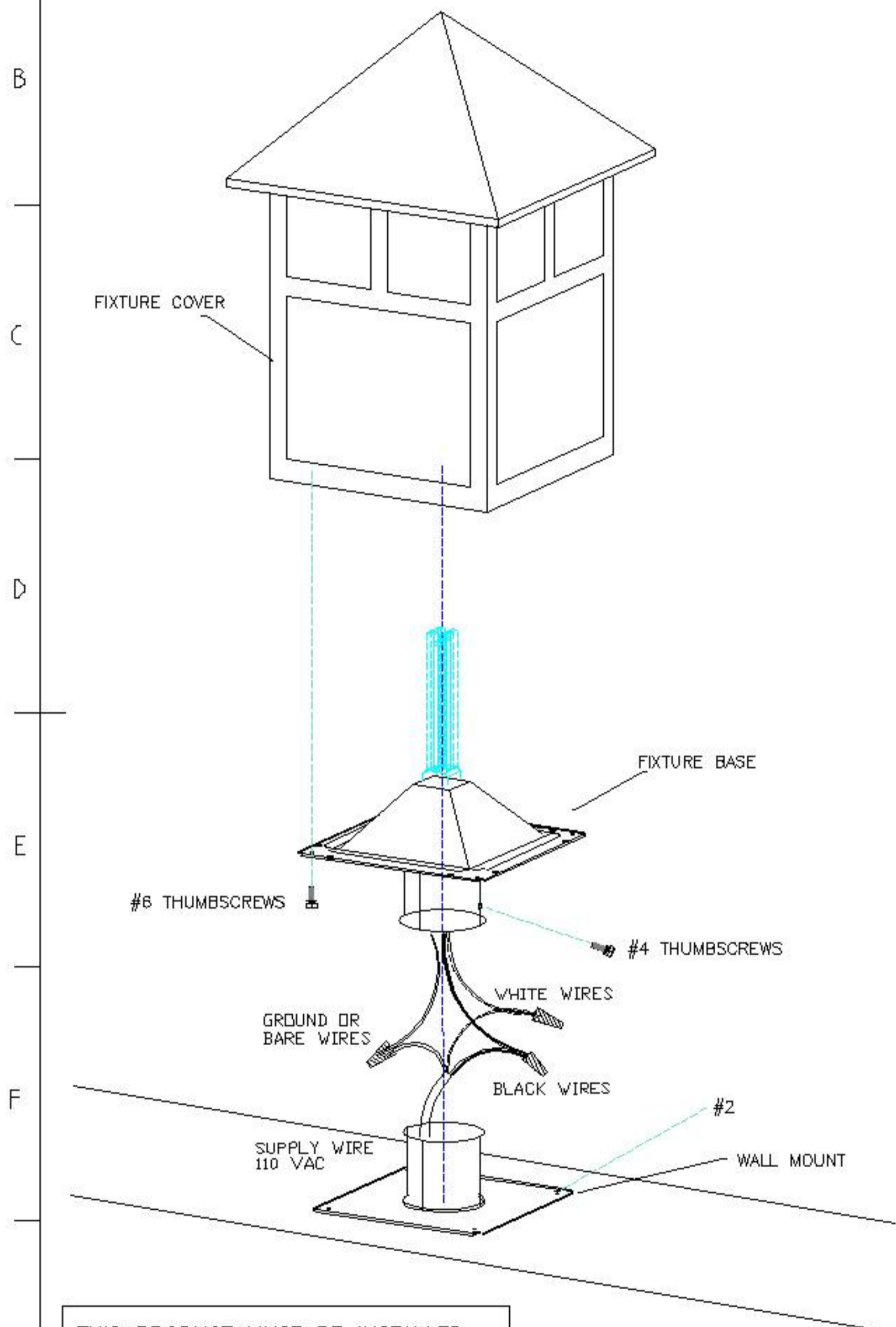


RevN-	Revision note	Date	Signature
0	INITIAL RELEASE	8/11/05	AVD

**** IMPORTANT ****
INSURE ELECTRICAL POWER IS OFF TO ELECTRICAL BOX BEFORE PROCEEDING!
MINIMUM 90° EC SUPPLY CONDUCTORS



INSTALLATION STEPS:

**** IMPORTANT **** INSURE ELECTRICAL SERVICE IS TURNED OFF BEFORE PROCEEDING

1. REMOVE ALL ITEMS FROM BOX. INSPECT FOR DAMAGE AND REPORT DAMAGED ITEM TO STONE MATHER DESIGNS.

2. INTALL WALL MOUNT OVER BOX (HARDWARE NOT INCLUDED)SEEL WALL MOUNT TO WALL WITH SILICONE SEELANT

3. CONNECT WHITE WIRE(S) WITH WHITE SUPPLY WIRE, CONNECT BLACK WIRE(S) WITH BLACK SUPPLY WIRE AND CONNECT GROUND WIRE(S) WITH GROUND SUPPLY WIRE USING WIRE NUTS.

4. PLACE FIXTURE BASE OVER WALL MOUNT AND SECURE THROUGH HOLES WITH THREE THUMBSCREWS

5. INSTALL LAMP (NOT INCLUDED)

6. PLACE FIXTURE COVER OVER BASE AND SECURE THROUGH HOLES WITH FOUR THUMBSCREWS

THIS PRODUCT MUST BE INSTALLED IN ACCORDANCE WITH THE APPLICABLE INSTALLATION CODE BY A PERSON FAMILIAR WITH THE CONSTRUCTION AND OPERATION OF THE PRODUCT AND THE HAZARDS INVOLVED AND OR A QUALIFIED ELECTRICIAN.

UNDERWRITERS LABORATORIES COMPLIANCE		STONE MATHER DESIGNS 4444 Tower Rd. SW Albuquerque, NM 87121 Phone (505) 247-4276 Fax (505) 247-4538	INSTALLATION INSTRUCTIONS	
U_L 1. INCANDESCENT FILE # E170691 2. FLUORESCENT FILE # E172522	POST LIGHT 310SP POST			
			Date	8/11/2005
		Designed by	AVD	
		Sheet	1/1	